

JOB NAME:

QUANTITY:

ITEM NO.:

PRODUCT NAME:

UNDER COUNTER REEL RINSE WITH SPRAY VALVE

_____ SPECIAL CONFIGURATION
(CHECK BASE MODEL AND OPTIONS)

MODEL:

29661

OPTIONS OR MODIFICATIONS:

BRUSH
 OTHER _____

FEATURES:

REEL

- * SELF-LOCKING DESIGN
- * EXPOSED

HOSE

- * 12' LENGTH HOSE
- * 19" LENGTH INLET HOSE
- * 3/8" NPT FEMALE INLET
- * 3-PLY FIBER REINFORCED RUBBER HOSE
- * ADJUSTABLE BALL STOP

STANDARD PRO SPRAY VALVE

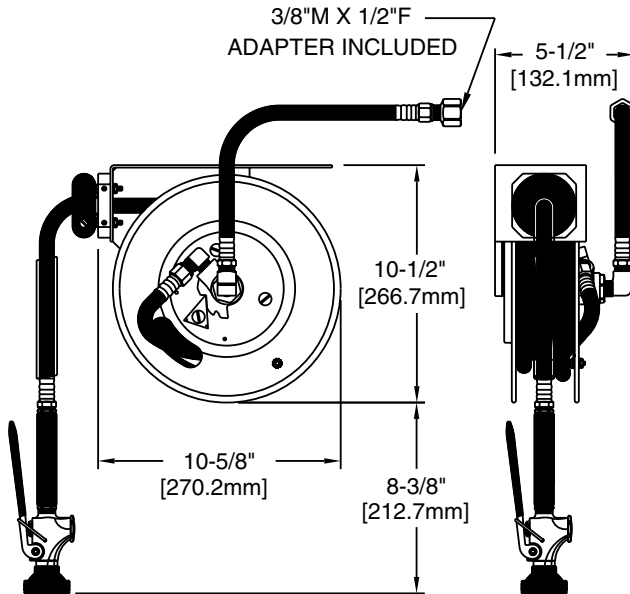
- * SOLID BRASS SHOWER HEAD - NO "O" RINGS TO LEAK
- * BRONZE HANDLE - NOT PLASTIC - MEANS FULL "ON"
- * FITS ALL BRANDS
- * 2.65 GPM AT 80 PSI
- * SHOWER SPRAY PATTERN

SYSTEM LIMITS

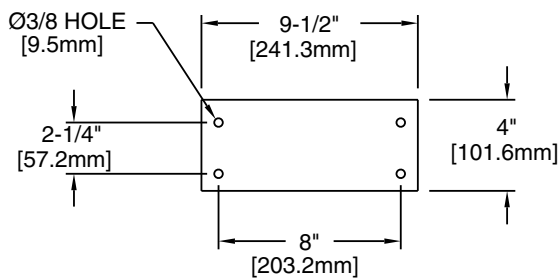
- * TEMP: 40°F MIN. TO 140°F. MAX
- * PRESSURE 200 PSI MAX STATIC

SHIPPING WEIGHT

- * 13.0 LBS



ROUGH-IN: SEE MOUNTING PLATE BELOW



ANSI/A112.18.1M